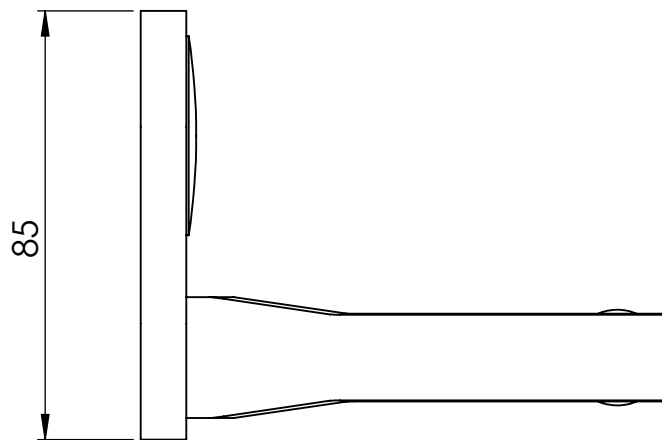
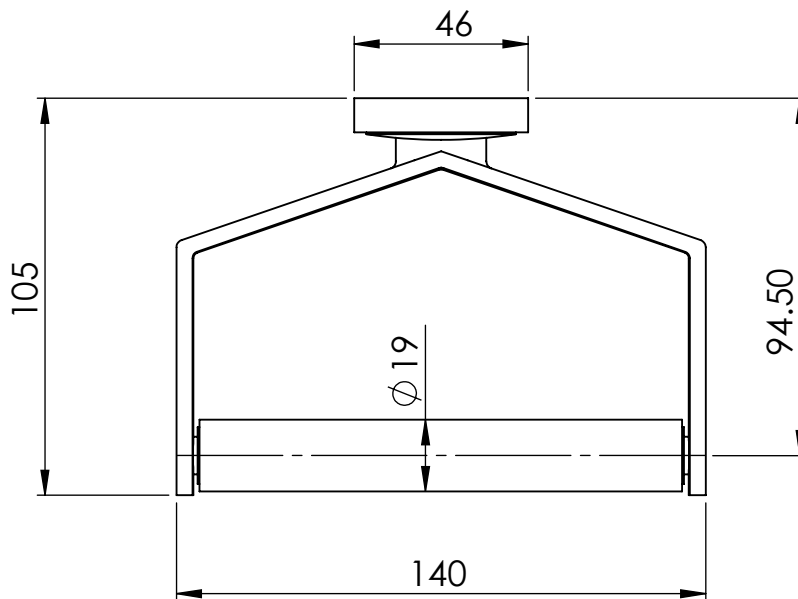


Tolerance If Not Specified

Not Machined		1<x=6	10<x=30	30<x=100	100<x=300	300<x=1000	1000<x=2000
Machined	Fine	±0.05	±0.1	±0.15	±0.2	±0.3	
Machined Smooth	Medium	±0.1	±0.2	±0.3	±0.5	±0.8	±1.2
Mirror	Coarse		±0.5	±0.8	±1.2	±2.0	±3.0



Rev. Date	Revision	Revision Description					
<b>All projections are shown in series</b>		 Asian Paints Limited 6A, Shantinagar Santacruz (East) Mumbai 400055					
All dimensions are in mm		<b>Toilet Paper Holder</b>					
* Indicates critical feature							
Drawn		Title	<b>Accessories</b>			Range	Croma
Checked		Type					
Approved		Material					
Date		Drg No.	<b>FCRACHLCPFL02</b>				
Weight		<b>This Drawing &amp; Design is Property Of APL. It is Confidential Document Must Not Be Copied Or Used in Any Manner to Their Interest.</b>					
Scale	1:5						